

Data sheet

Rotary valves HFE 3

Description



Danfoss HFE rotary valves are primarily designed for regulation of flow temperature in heating systems where a certain leakage can be accepted and where a defined control characteristic is not required.

HFE rotary valves can be used in combination with electric actuators AMB 162 and AMB 182.

Features:

- Cast iron body with flange connection
- Lowest leakage in class
- Valve position indicator
- Ergonomic handle
- For mixing and diverting applications
- Flange PN 6 connection

Main data:

- DN 20–150
- k_{vs} 12–400 m³/h
- PN 6
- t_{max} = 110 °C
- 3-way
- S characteristic

Ordering

Type	DN (mm)	k_{vs} (m ³ /h)	PN	Code No.
HFE 3	20	12	6	065Z0428
	25	18		065Z0429
	32	28		065Z0430
	40	44		065Z0431
	50	60		065Z0432
	65	90		065Z0433
	80	150		065Z0434
	100	225		065Z0435
	125	280		065Z0436
	150	400		065Z0437

Spare parts and accessories

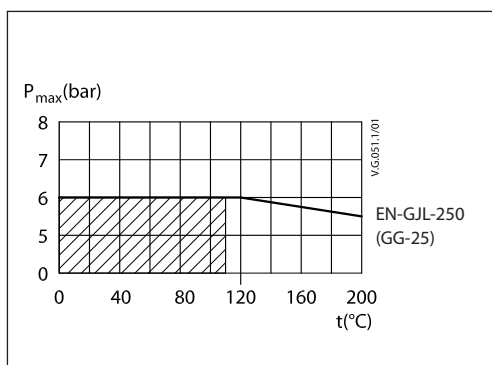
Type	DN	Code No.
Linkage kit		065Z0440*
Retrofit linkages for rotary valves		065Z0441
Replacement handle		065Z0443
Stuffing box and sealing	20-25	065Z0454
	32-40	065Z0455
	20-65	065Z0456
	80	065Z0457
	100-125	065Z0458
	150	065Z0459

*Supplied with actuator AMB 162/182

Technical data

Nominal diameter	DN	20	25	32	40	50	65	80	100	125	150
k_{vs}	m ³ /h	12	18	28	44	60	90	150	225	280	400
Control characteristic		S characteristic									
Leakage		Diverting: max. 0.5% of k_{vs} / Mixing: max. 1.0 % of k_{vs}									
Nominal pressure	PN	6									
Max. closing pressure	bar	0.5									
Torque at PN	Nm	5			10			15			
Medium		Circulation water / glycolic mixture up to 50%									
Medium pH		Min. 7, max. 10									
Medium temperature	°C	2 ... 110									
Connections		Flanges PN 6									
Materials											
Valve body and cover		Grey cast iron EN-GJL-250 (GG25)									
Slide shoe		CuZn36Pb2As (BrassDZR, CW 602N)									
Stuffing box sealing		EPDM									

Pressure temperature diagram



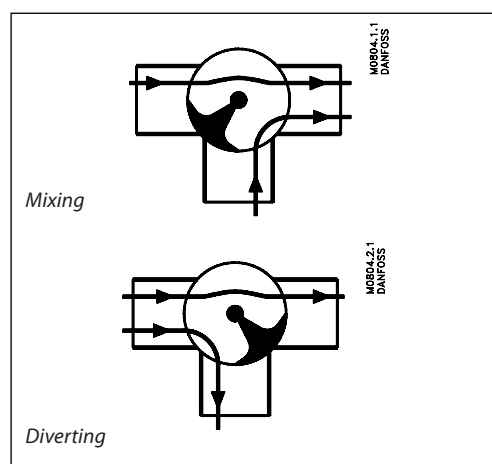
Installation

Valve mounting

Before valve mounting pipes have to be cleaned and free from abrasion. Mechanical loads on valve body caused by the pipes are not allowed. It is recommended to install a strainer into application to avoid damaging controlling components.

Connection

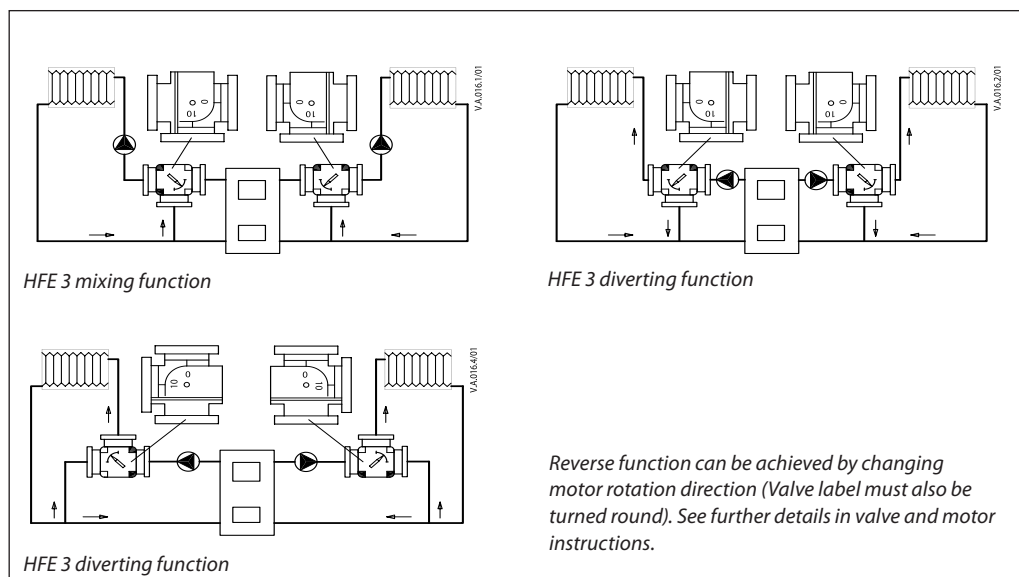
HFE 3 can be used as a mixing valve, diverting valve and in connection with heat exchangers where a certain leakage can be accepted.



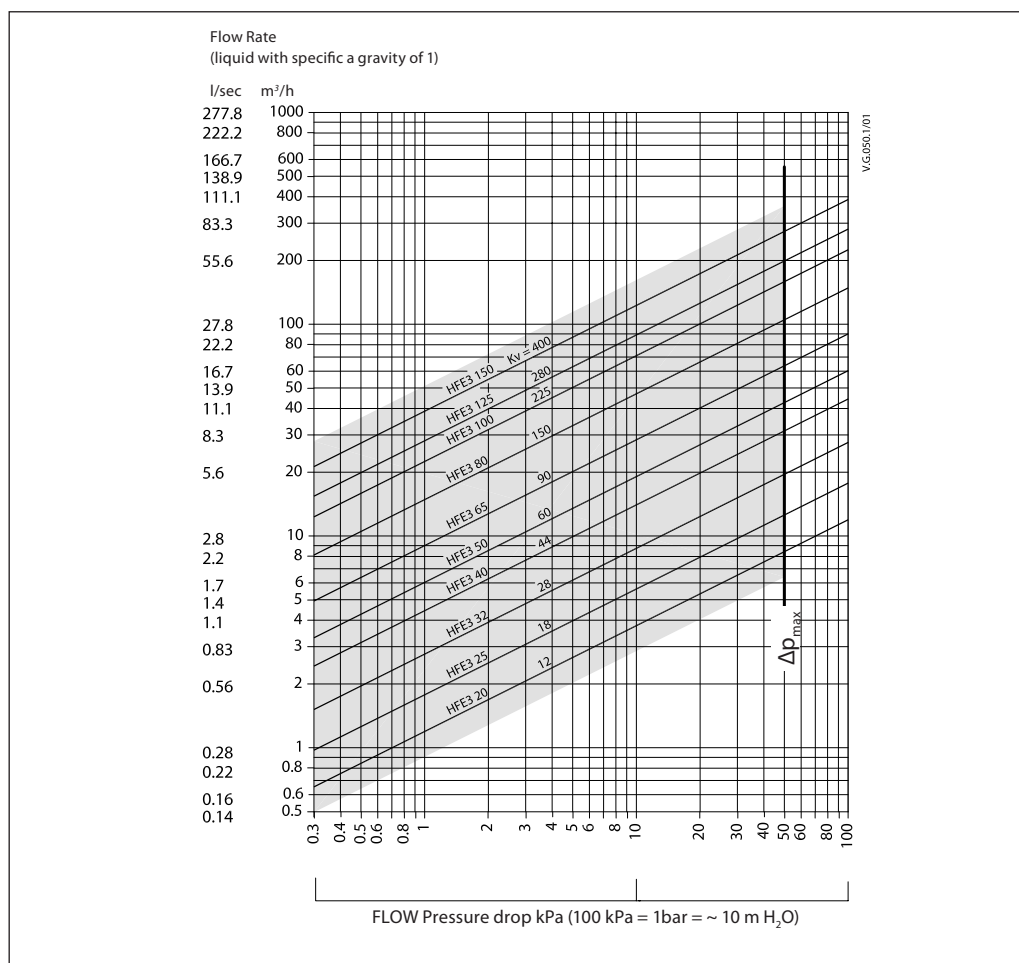
Disposal

The valve must be dismantled and the elements sorted into various material groups before disposal.

Application principles

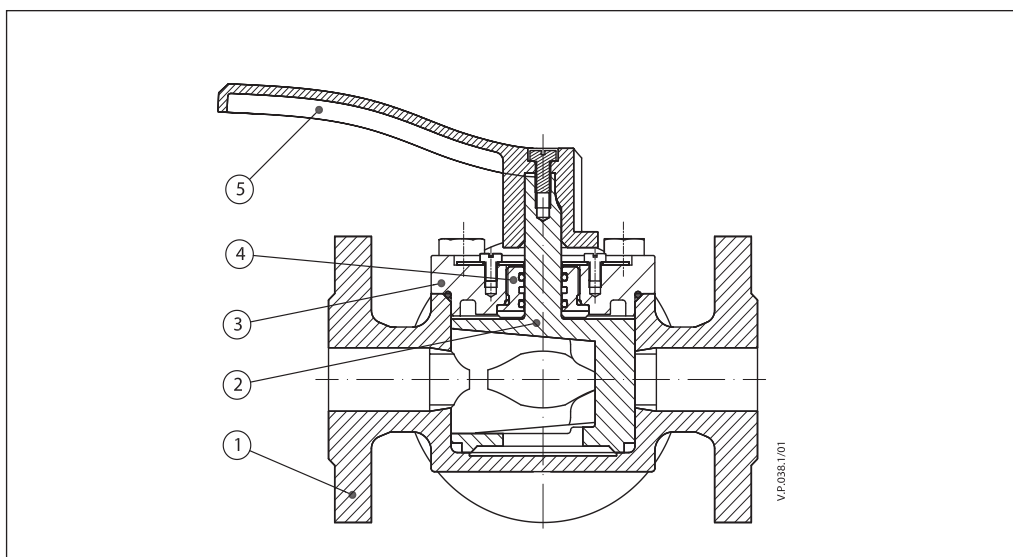


Sizing

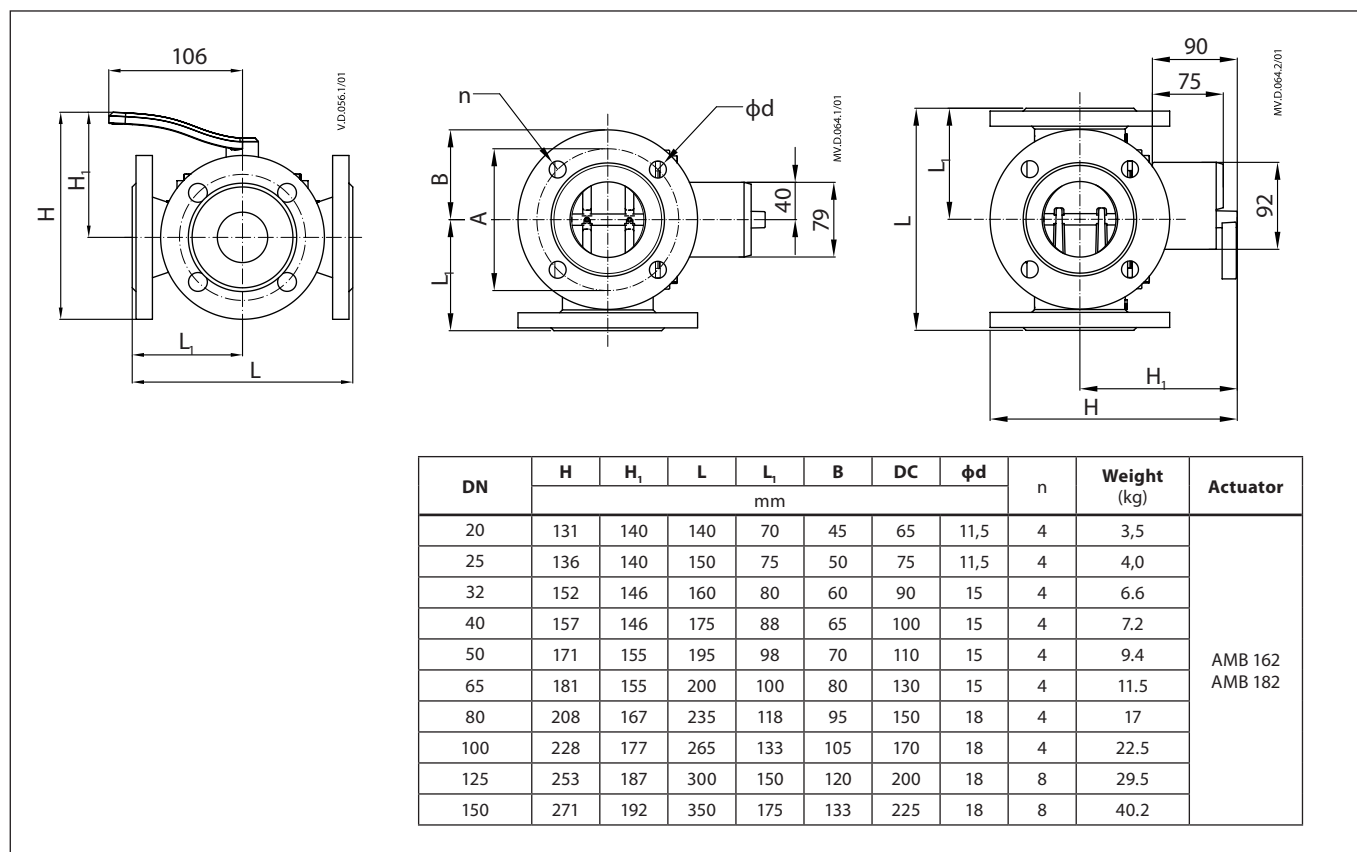


Design

1. Valve body
2. Slide shoe
3. Valve cover
4. Stuffing box
5. Handle



Dimensions



Danfoss can accept no responsibility for possible errors in catalogues, brochures and other printed material. Danfoss reserves the right to alter its products without notice. This also applies to products already on order provided that such alterations can be made without consequential changes being necessary in specifications already agreed. All trademarks in this material are property of the respective companies. Danfoss and the Danfoss logotype are trademarks of Danfoss A/S. All rights reserved.