

Technical data sheet

Type X2777

Ball valve

Xoline for industry

Applications and special features



- 2-piece ball valve
- Full bore
- Handle can be locked in open or closed position
- Industry, high pressure, high temperature.
- Female/female connection

Technical description

Important notice :

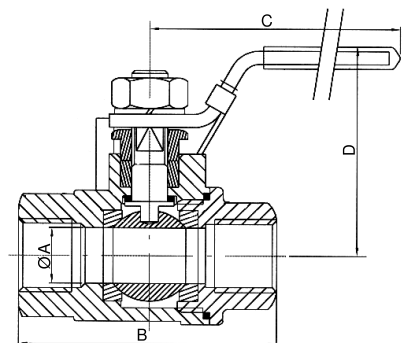
The indicated pressure for the different categories of fluids (L1/L2/G1/G2) is under no condition a guarantee of use. Therefore, it is essential to validate the use of products under given operating conditions.

DN	PFA bar	PS - bar				Cat.	References	Vvs-nr
		L1	L2	G1	G2			
1/4	8	63	63	63	63	3.3	149B 6030	
3/8	10	63	63	63	63	3.3	149B 6031	
1/2	15	63	63	63	63	3.3	149B 6032	
3/4	20	63	63	63	63	3.3	149B 6033	
1	25	63	63	63	63	3.3	149B 6034	
1 ^{1/4}	32	63	62	63	0,5	63	3.3	149B 6035
1 ^{1/2}	40	63	50	63	0,5	25	3.3	149B 6036
2	50	63	40	63	0,5	20	3.3	149B 6037
2 ^{1/2}	65	63	25	63	0,5	15	3.3	149B 6038
3	80	63	25	63	0,5	12	3.3	149B 6039

- **Connection** : Female/Female, BSP threaded
- **Permissible operating pressure PFA - water-** (for supply, distribution and disposal of water) : See table
- **Maximum permissible pressure PS - other mediums** : See table
- **θ** : Mini. - 29 °C
Maxi. 230 °C
- **Mediums** : Water, air, medical fluids (oxygen : grease-free valves)

Overall dimensions

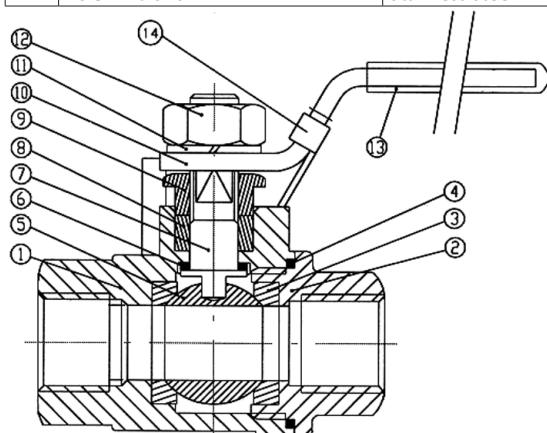
DN	A	B	C	D	Weight	
						"
1/4	8	11	58	90	60	0,30
3/8	10	12,5	58	90	60	0,30
1/2	15	12,5	64	90	62	0,34
3/4	20	20	76	98	68	0,47
1	25	25,4	86	104	80	0,79
1 ^{1/4}	32	32	100	135	86	1,25
1 ^{1/2}	40	38	110	152	86	1,75
2	50	50	125	152	95	2,50
2 ^{1/2}	65	68	168	260	132	6,46
3	80	80	191	260	145	9,74



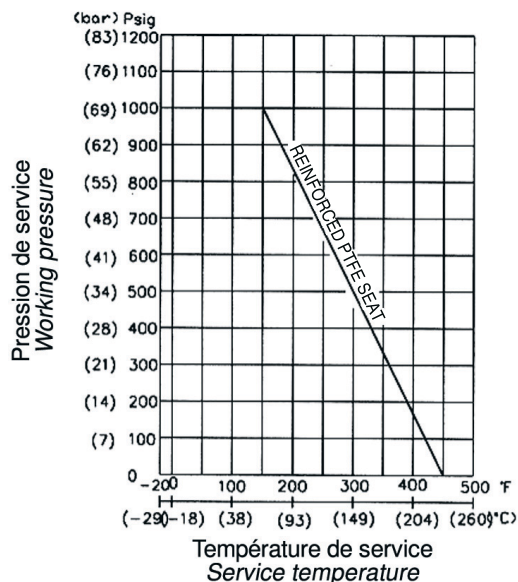
Technical data sheet Type X2777 - Ball valve

Spare parts list and materials

Nb	Description	Materials	EURO	ANSI
1	CASING	Stainless steel	GX5Cr-NiMo19-11-2	ASTM A 351-CF8M
2	CONNECTION ENDS	Stainless steel	GX5Cr-NiMo19-11-2	ASTM A 351-CF8M
3	SEATS	PTFE		
4	CONNECTION ENDS SEALS	PTFE		
5	BALL	Stainless steel	GX5Cr-NiMo19-11-2	ASTM A 351-CF8M
6	STEM SEAL	PTFE		
7	STEM	Stainless steel	X5Cr-NiMo17-12-2	AISI 316
8	STUFFING BOX	PTFE		
9	STUFFING BOX SCREW	Stainless steel	X5Cr-Ni18-10	AISI 304
10	HANDLEVER	Stainless steel	X5Cr-Ni18-10	AISI 304
11	WASHER	Stainless steel	X5Cr-Ni18-10	AISI 304
12	NUT	Stainless steel	X5Cr-Ni18-10	AISI 304
13	NIPPLE	PVC		
14	LOCKING SYSTEM	Stainless steel	X5Cr-Ni18-10	AISI 304



Working principle



Socla can accept no responsibility for possible errors in catalogue, brochures and other printed material. Socla reserve the right to alter its products without notice. This also applies to products already agreed. All trademarks in this material are the property of the respective companies. All right reserved.

Socla SAS

365 rue du lieutenant Putier
71530 VIREY LE GRAND
Postal address : CS 10273
71107 CHALON SUR SAONE Cedex

Tel : 33 3 85 97 42 52
Fax : 33 3 85 97 97 42
<http://www.socla.com>
e-mail: commerfr@socla.com