

# Technical data sheet

## Type Y333 Y pattern strainer

### Applications and special features



- Protection of pumps, valves, pressure reducing valves, backflow preventers, against any impurity in the piping system (dirt, rust, seal fragments, foreign bodies).
- Filtration DN :
  - 500 microns for DN 40/50
  - 800 microns for DN 65
  - 1250 microns for DN 80/100/125/150/200
  - 1600 microns for DN 250/300/350/400
- Internal/external epoxy coating.

### Technical description

DN "	mm	PN	PFA bar	PS - bar			Cat.	References	Vvs-nr
				L1	L2	G2			
1 ½	40	10/16	16	16	16	X X	3.3	149B 3260	
2	50	10/16	16	16	16	X X	3.3	149B 3261	
2 ½	65	10/16	16	16	16	X X	3.3	149B 3262	
3	80	10/16	16	16	16	X X	3.3	149B 3263	
4	100	10/16	16	16	16	X X	3.3	149B 3264	
5	125	10/16	16	16	16	X X	3.3	149B 3265	
6	150	10/16	16	13	16	X X	3.3	149B 3266	
8	200	10	10	10	10	X X	3.3	149B 3267	
10	250	10	10	10	10	X X	1	149B 3268	
12	300	10	10	10	10	X X	1	149B 3269	
14	350	10	10	10	10	X X	1	149B 3794	
16	400	10	10	10	10	X X	1	149B 3797	

#### Important notice :

The indicated pressure for the different categories of fluids (L1/ L2/G1/G2) is under no condition a guarantee of use. Therefore, it is essential to validate the use of products under given operating conditions.

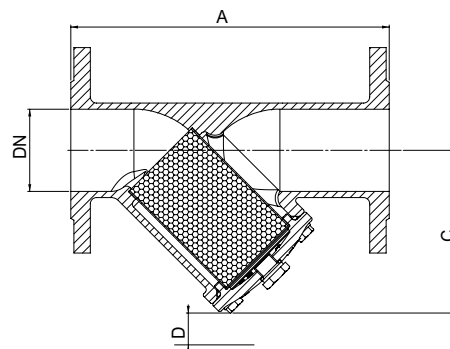
- Connection : with PN 10 flanges
- Permissible operating pressure PFA - water : (for supply, distribution and disposal of water) : See table
- Maximum Permissible pressure PS - other mediums : See table
- $\theta$  : Mini. -10 °C  
Maxi. 100 °C
- Mediums : Clear liquids
- Approvals : ACS **WRAS** (except DN 350 & 400)



- International construction Standards :
  - CE Conformity Directive 97/23/CE
  - Flange drilling according to EN 1092-2
  - Overall dimensions according to EN 558-1 series 1

### Overall dimensions

DN "	mm	A mm	C mm	D mm	Mesh mm	Weight kg
1 ½	40	200	130	35	0,50	6,5
2	50	230	145	50	0,50	8,5
2 ½	65	290	137	65	0,80	9,8
3	80	310	159	75	1,25	13,5
4	100	350	187	90	1,25	18
5	125	400	249	125	1,25	27,5
6	150	480	301	170	1,25	43
8	200	600	403	220	1,25	83
10	250	730	472	200	1,60	112
12	300	850	508	250	1,60	160
14	350	980	587	315	1,6	297
16	400	1100	658	370	1,6	406

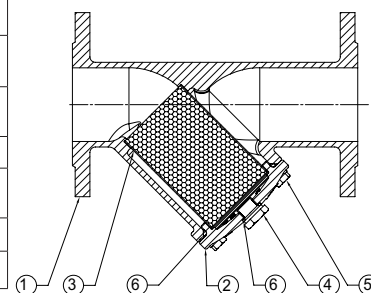


\* D : Required height to remove the strainer

# Technical data sheet Type Y333 - Y pattern strainer

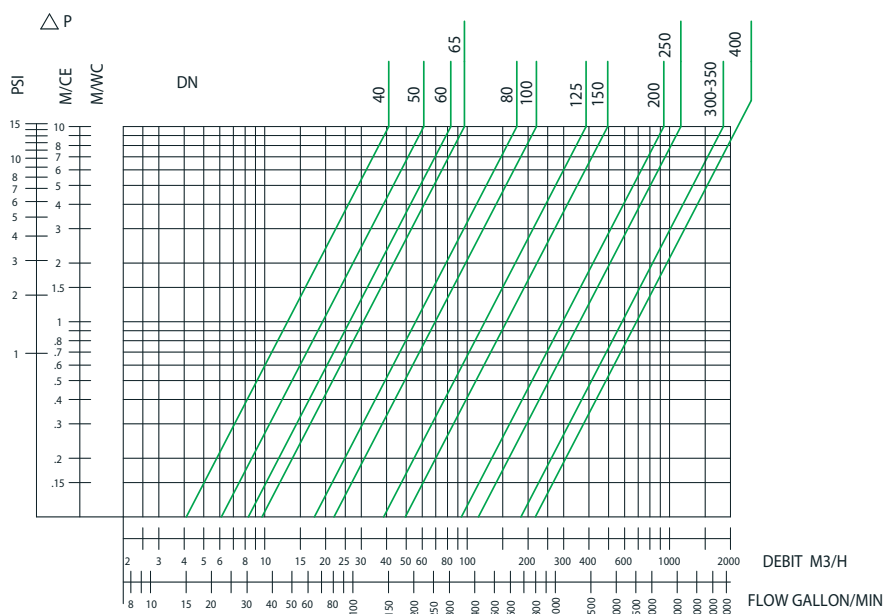
## Spare parts list and materials

Nb	Description	Materials	EURO	ANSI
1	CASING DN 40-50 DN 65-400	Cast iron + epoxy Ductile iron + epoxy	EN-GJL-250 EN-GJS-400-15	ASTM A 48 35 B
2	CAP DN 40-50 DN 65-400	Cast iron + epoxy Ductile iron + epoxy	EN-GJL-250 EN-GJS-400-15	ASTM A 48 35 B
3	STRAINER	Stainless steel	X5CrNi18-10	AISI 304
4	PLUG 1/2 DN 40-150 3/4 DN 200-400	Brass	CuZn40Pb3	
5	STUD BOLT/SCREW	Stainless steel	X5CrNi18-10	AISI 304
6	SEAL	EPDM		



## Working principle

DN		Kv m <sup>3</sup> /H	ζ
"	mm		
1 1/2	40	42,70	2,20
2	50	66,70	2,20
2 1/2	65	89,00	3,50
3	80	127,00	4,00
4	100	200,00	3,90
5	125	364,00	2,60
6	150	494,00	3,30
8	200	937,00	2,90
10	250	1137,00	4,80
12	300	1844,00	3,80
14	350	1844,00	7,10
16	400	2172,00	8,80



\* Head loss value for non clogged strainer  
 \* Max velocity (for clean water) : 5m/s

Socla can accept no responsibility for possible errors in catalogue, brochures and other printed material. Socla reserve the right to alter its products without notice. This also applies to products already agreed. All trademarks in this material are the property of the respective companies. All right reserved.

## Socla

365 rue du lieutenant Putier  
 71530 VIREY LE GRAND  
 Adresse postale : CS 10273  
 71107 CHALON-SUR-SAÔNE Cedex

Tel : 33 3 85 97 42 42  
 Fax : 33 3 85 97 97 42  
<http://www.socla.com>  
 e-mail : [contact@socla.com](mailto:contact@socla.com)