

Technical data sheet

Type 812 Non-return valve W System

Applications and special features



- Operates in any position
- Easy to install and dismantle, space-saving
- Minimum head loss
- Does not generate hammering
- Closing system : disc with parabolic edges with return spring ; lateral guiding by 3 or 4 ribs (DN 15 to 100).
- Closing system with back axial guiding and return spring (ND 125 to 200).
- Metal/metal seal (machined trim)
- Using these check valves on networks equipped with piston pumps or compressors is not recommended.
- Within an ATEX area, please check that the network is connected to the braid, do not use isolating pipes (PVC).

Technical description

DN "	mm	PN	PFA en bar	PS en bar				Cat.	Références	Vvs-nr
				L1	L2	G1	G2			
1/2	15	40	40	40	40	40	40	3.3	149B 2420	
3/4	20	40	40	40	40	40	40	3.3	149B 2421	
3/4	20	40	40	40	40	40	40	II	149B 2421C2*	
1	25	40	40	40	40	40	40	3.3	149B 2422	
1	25	40	40	40	40	40	40	II	149B 2422C2*	
1 ^{1/4}	32	40	40	40	40	30	40	I	149B 2423	
1 ^{1/4}	32	40	40	40	40	40	40	II	149B 2423C2*	
1 ^{1/2}	40	40	40	40	40	25	40	I	149B 2424	
1 ^{1/2}	40	40	40	40	40	40	40	II	149B 2424C2*	
2	50	40	40	40	40	20	40	I	149B 2425	
2	50	40	40	40	40	40	40	II	149B 2425C2*	
2 ^{1/2}	65	40	40	30	40	15	40	I	149B 2426	
2 ^{1/2}	65	40	40	40	40	40	40	II	149B 2426C2*	
3	80	40	40	25	40	12	40	I	149B 2427	
3	80	40	40	40	40	40	40	II	149B 2427C2*	
4	100	40	40	20	40	10	40	I	149B 2428	
4	100	40	40	40	40	40	40	II	149B 2428C2*	
5	125	40	40	16	40	0,5	28	I	149B 2429	
5	125	40	40	40	40	28	40	II	149B 2429C2*	
6	150	40	40	13	40	0,5	23	I	149B 2430	
6	150	40	40	40	40	23	33	II	149B 2430C2*	
8	200	16	16	16	16	16	16	II	149B 2431*	
8	200	25/40	40	40	40	17	25	II	149B 2432*	
8	200	25/40	40	40	40	17	25	II	149B 2432	

Important notice:

The indicated pressure for the different categories of fluids (L1/L2/G1/G2) is under no condition a guarantee of use. Therefore, it is essential to validate the use of products under given operating conditions. The operating instructions are available on our web site www.socla.com or by requesting from our sales department.

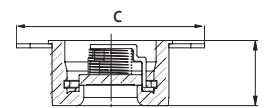
* : Equipped with a discharge anti-static braid

- **Connections** : between flanges PN see table
- **Permissible operating pressure PFA - water-** (for supply, distribution and disposal of water) : See table
- **Maximum Permissible pressure PS - other mediums:** See table
- **θ** Mini. -10 °C
Maxi. 350 °C
- **Mediums** : Clear liquids
- **Leakage rate** : according to EN 12266-1 rate E
- **Approvals** : ACS PED 2014/68/UE (except DN15)
- **International construction Standards** :
 - CE Conformity Directive 2014/68/UE
 - CE ATEX Conformity Directive 2014/34/UE
 - Connection according to ASA B16.1 class 125RF
 - Connection according to ASA B16.5 class 150RF and 300RF
 - Connection according to EN 1092.2
 - Overall dimensions according to EN558-1 series 49

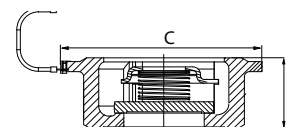
Overall dimensions

DN "	mm	B mm	C - PN6 mm	C - PN10/16/ ASA150 mm	C - PN25/40/ ASA300 mm	Weight kg
3/4	20	19	54	63	63	0,14
1	25	22	64	73	73	0,23
1 ^{1/4}	32	28	78	84	84	0,35
1 ^{1/2}	40	31,5	88	94	94	0,52
2	50	40	98	109	109	0,73
2 ^{1/2}	65	46	118	129	129	1,52
3	80	50	134	144	144	2,17
4	100	60	154	162	170	3,35
5	125	90	-	192	192	8,55
6	150	106	-	218	224	12,70
8	200	140	262	273	-	29,50
8	200	140	-	-	284	30,00

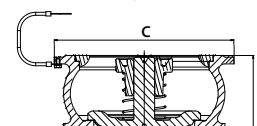
DN 1/2



DN 3/4 to 4"



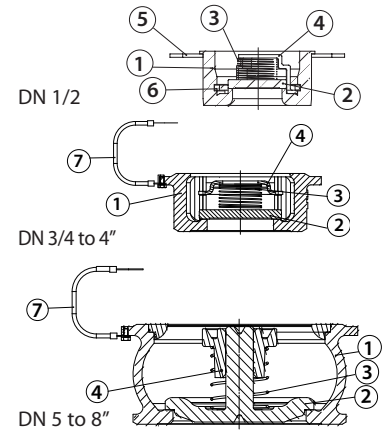
DN 5 to 8"



Technical data sheet Type 812 - Non-return valve

Spare parts list and materials

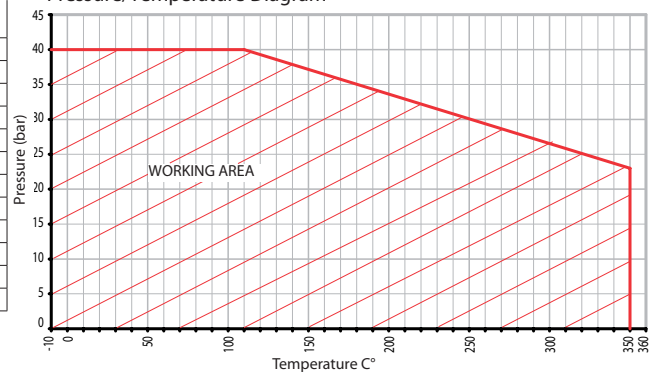
Nb	Description	Materials	EURO	ANSI
1	CASING DN15	Stainless steel	X5CrNi18-10	AISI 304
	DN20 to 65		GX5CrNi19-10	AISI 304
	DN80 to 100		GX2CrNiMo19-11-2	AISI 316L
	DN125 to 200		GX5CrNi19-10	AISI 304
2	CLOSING SYSTEM DN15 to 100	Stainless steel	X2CrNiMo17-12-2	AISI 316L
	DN125 to 200		GX5CrNi19-10	AISI 304
3	SPRING	Stainless steel	X10CrNi18-8	AISI 302
4	STOP / GUIDE DN15 to 65	Stainless steel	X2CrNiMo17-12-2	AISI 316L
	DN 80 to 100		X2CrNi18-9	AISI 304L
	DN125 to 150		GX2CrNiMo19-11-2	AISI 316L
	DN 200		GX5CrNi19-10	AISI 304
5	CENTERING COLLAR DN 15 OTHER DN	Stainless steel Bichromated steel	X2CrNi18-9	AISI 304L
6	CLIPS	Stainless steel	X10CrNi18-8	AISI 302
7	DISCHARGE ANTI-STATIC BRAID	Copper		



Working principle

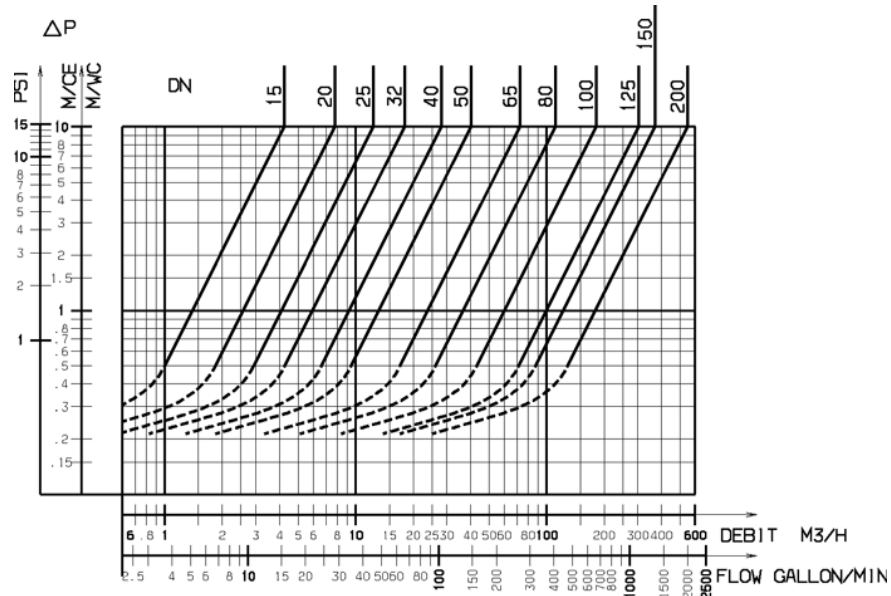
DN	Opening pressure mm/WC					Kv	ζ
	↑	↓	↔	without spring	m³/H		
1/2	15	160	120	140	20	4,24	4,4
3/4	20	165	125	145	20	7,80	4,1
1	25	165	115	140	25	12,40	4,0
1 ^{1/4}	32	190	130	160	30	18,00	5,0
1 ^{1/2}	40	200	120	160	40	28,00	5,1
2	50	210	110	155	50	40,10	6,1
2 ^{1/2}	65	210	100	155	55	72,50	5,3
3	80	226	95	160	65	111,00	5,2
4	100	235	75	205	80	182,00	4,7
5	125	335	75	205	130	302,00	4,2
6	150	360	70	215	145	370,00	5,8
8	200	515	105	310	205	546,00	8,4

Pressure/Temperature Diagram



Direction for use :

- Solid line : Valve completely open
- Dotted line : opening stage of valve



Socla can accept no responsibility for possible errors in catalogue, brochures and other printed material. Socla reserve the right to alter its products without notice. This also applies to products already agreed. All trademarks in this material are the property of the respective companies. All right reserved.

Socla SAS

365 rue du lieutenant Putier
71530 VIREY LE GRAND
Postal address : CS 10273
71107 CHALON SUR SAONE Cedex

Tel : 33 3 85 97 42 52
Fax : 33 3 85 97 97 42
<http://www.socla.com>
e-mail: contact@wattswater.com