



60 Hz
PRELIMINARY



Medium temperature refrigeration

Scroll compressors 60 Hz - R404A / R134a / R22 / R507A

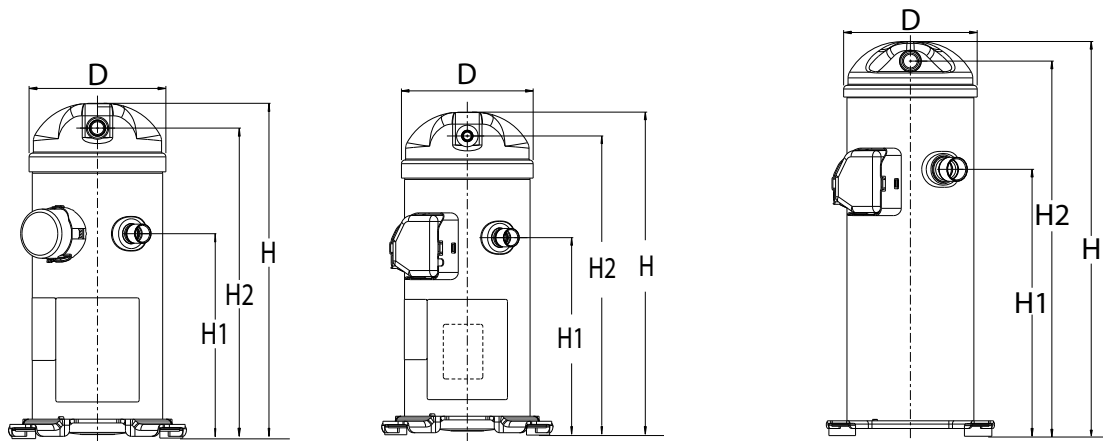
CODE NUMBERS

Features

- ☑ Compressor range from 15,000 to 78,000 Btu/hr cooling capacity
 - ☑ Multi-refrigerant compressor suitable for R404A, R507A, R134a and R22
 - ☑ Suitable for operation down to 50°F condensing temperature for improved energy efficiency
 - ☑ Oil sight glass & schraeder connection for oil fill/drain
- ☑ Rubber mounting grommets
 - ☑ Brazed connectors
 - ☑ IP 22 electrical box
 - ☑ Optional rotolock fittings, crankcase heater, sound jacket

Product range & technical specifications

Model	Product range					Sound power (dBA)	Net weight (lbs)	Oil charge (oz)	Dimensions in inch			
	Code 1	Code 2	Code 4	Code 7	Code 9				D	H	H1	H2
MLZ 015	●	●	●	●	●	68	67.0	36	6.50	16.26	9.84	14.92
MLZ 019	●	●	●	●	●	68	67.0	36				
MLZ 021	●	●	●	●	●	68	67.0	36				
MLZ 026	●	●	●	●	●	70	67.0	36				
MLZ 030	●	●	●	●	●	73	82.0	53	7.24	17.91	11.02	16.61
MLZ 038	●	●	●	●	●	74	82.0	53				
MLZ 045	●	●	●	●	●	74	87.0	53				
MLZ 048	●	●	●	●	●	75	87.0	53				
MLZ 058	●	●	●	●	●	77	97.0	90	7.24	21.10	14.53	20.04
MLZ 066	●	●	●	●	●	77	99.6	90	7.24	21.46	14.53	20.43
MLZ 076	●	●	●	●	●	77	99.6	90				



MLZ015 - 048

MLZ058 - 076

PERFORMANCE DATA

R404A

Model	20 °F Evap., 105 °F Cond., RGT = 65 °F, SC = 0 °F		25 °F Evap., 105 °F Cond., RGT = 65 °F, SC = 0 °F		32 °F Evap., 105 °F Cond., RGT = 65 °F, SC = 0 °F		40 °F Evap., 110 °F Cond., RGT = 65 °F, SC = 0 °F		20 °F Evap., 120 °F Cond., RGT = 65 °F, SC = 0 °F (ARI MT Conditions)	
	Capacity (Btu/hr)	EER (Btu/hr/W)	Capacity (Btu/hr)	EER (Btu/hr/W)	Capacity (Btu/hr)	EER (Btu/hr/W)	Capacity (Btu/hr)	EER (Btu/hr/W)	Capacity (Btu/hr)	EER (Btu/hr/W)
MLZ015										
MLZ019	22600	9.7	25000	10.7	28500	12.2	31600	12.7	19400	7.0
MLZ021	24000	9.8	26500	10.7	30300	12.3	33500	12.8	20600	7.0
MLZ026	30000	9.6	33000	10.6	37800	12.1	41800	12.6	25800	7.0
MLZ030	35200	9.8	38800	10.8	44400	12.3	49200	12.9	30300	7.1
MLZ038	42000	9.8	46400	10.9	52900	12.4	58800	12.9	36300	7.1
MLZ045	51300	10.0	56300	11.0	64300	12.6	71400	13.1	44100	7.2
MLZ048	55800	9.9	61800	11.0	70300	12.5	77800	13.1	48200	7.2
MLZ058	65900	9.5	72800	10.6	83200	12.2	93100	12.7	57000	7.0
MLZ066	76100	9.7	83700	10.5	95700	11.9	105800	12.4	65500	7.2
MLZ076	87300	9.7	96100	10.6	109800	12.0	122600	12.4	75500	7.8

Evap.: evaporating temperature,
Cond.: condensing temperature,

RGT: return gas temperature (suction temperature),
SC: subcooling

Voltage: 460V/3Ph/60Hz

R22

Model	20 °F Evap., 105 °F Cond., RGT = 65 °F, SC = 0 °F		25 °F Evap., 105 °F Cond., RGT = 65 °F, SC = 0 °F		32 °F Evap., 105 °F Cond., RGT = 65 °F, SC = 0 °F		40 °F Evap., 110 °F Cond., RGT = 65 °F, SC = 0 °F		20 °F Evap., 120 °F Cond., RGT = 65 °F, SC = 0 °F (ARI MT Conditions)	
	Capacity (Btu/hr)	EER (Btu/hr/W)	Capacity (Btu/hr)	EER (Btu/hr/W)	Capacity (Btu/hr)	EER (Btu/hr/W)	Capacity (Btu/hr)	EER (Btu/hr/W)	Capacity (Btu/hr)	EER (Btu/hr/W)
MLZ 015										
MLZ 019	21100	9.6	23700	10.5	27400	11.9	31100	12.7	19500	7.3
MLZ 021	22400	10.4	25200	11.5	29100	13.1	33100	13.9	20700	8.1
MLZ 026	27900	10.7	31200	11.7	36000	13.2	40900	13.9	25700	8.1
MLZ 030	37200	10.5	37500	11.5	43300	13.1	49200	13.9	30700	8.1
MLZ 038	39300	10.6	44100	11.5	51000	13.0	57800	13.8	36300	8.2
MLZ 045	48500	10.8	54300	11.9	62500	13.6	70900	14.4	44200	8.3
MLZ 048	52600	10.8	58600	11.9	68300	13.6	77300	14.4	48300	8.3
MLZ 058	61200	10.3	68400	11.5	79800	13.3	91200	14.3	55500	7.9
MLZ 066	70300	10.7	79600	11.8	91700	13.4	104800	14.3	65500	8.3
MLZ 076	82900	10.6	92200	11.8	104600	13.5	119700	14.3	76000	8.3


Evap.: evaporating temperature,
Cond.: condensing temperature,

RGT: return gas temperature (suction temperature),
SC: subcooling

Voltage: 460V/3Ph/60Hz

Nomenclature

	Type	Size	Motor	Features	
Application: M: medium temperature refrigeration	MLZ	015	T1L	P6	Other features
Family: L: light commercial scroll					Other features P: brazed connections, spade terminals C: brazed connections, screw terminals
Refrigerant & lubricant: Z: PVE lubricant for R404A, R134a, R507, R22					Motor protection L: internal motor protection
Nominal capacity: In thousand Btu/h at 60 Hz, ARI conditions					Motor voltage code 1: 208-230V/1~/60 Hz 2: 208-230V/3~/60 Hz 4: 380-400V/3~/50 Hz & 460V/3~/60 Hz 5: 220-240V/1~/50 Hz 7: 500V/3~/50 Hz & 575V/3~/60 Hz 9: 380V/3~/60 Hz
Model variation					





The Danfoss product range for the refrigeration and air conditioning industry

Danfoss Refrigeration & Air Conditioning is a worldwide manufacturer with a leading position in industrial, commercial and supermarket refrigeration as well as air conditioning and climate solutions.

We focus on our core business of making quality products, components and systems that enhance performance and reduce total life cycle costs – the key to major savings.



Controls for Commercial Refrigeration



Controls for Industrial Refrigeration



Electronic Controls & Sensors



Industrial Automation



Household Compressors



Commercial Compressors



Sub-Assemblies



Thermostats



Brazen plate heat exchanger

We are offering a single source for one of the widest ranges of innovative refrigeration and air conditioning components and systems in the world. And, we back technical solutions with business solution to help your company reduce costs, streamline processes and achieve your business goals.

Danfoss A/S • www.danfoss.com

Danfoss Refrigeration & Air-Conditioning Division, www.danfoss.com/North_America

Danfoss can accept no responsibility for possible errors in catalogues, brochures and other printed material. Danfoss reserves the right to alter its products without notice. This also applies to products already on order provided that such alterations can be made without consequential changes being necessary in specifications already agreed. All trademarks in this material are property of the respective companies. Danfoss and the Danfoss logotype are trademarks of Danfoss A/S. All rights reserved.